

AVA

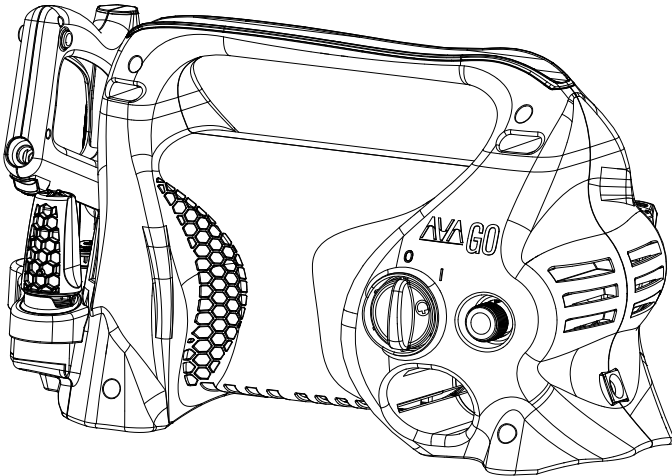
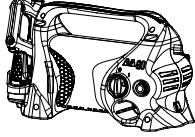
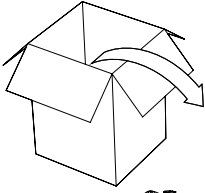


GO

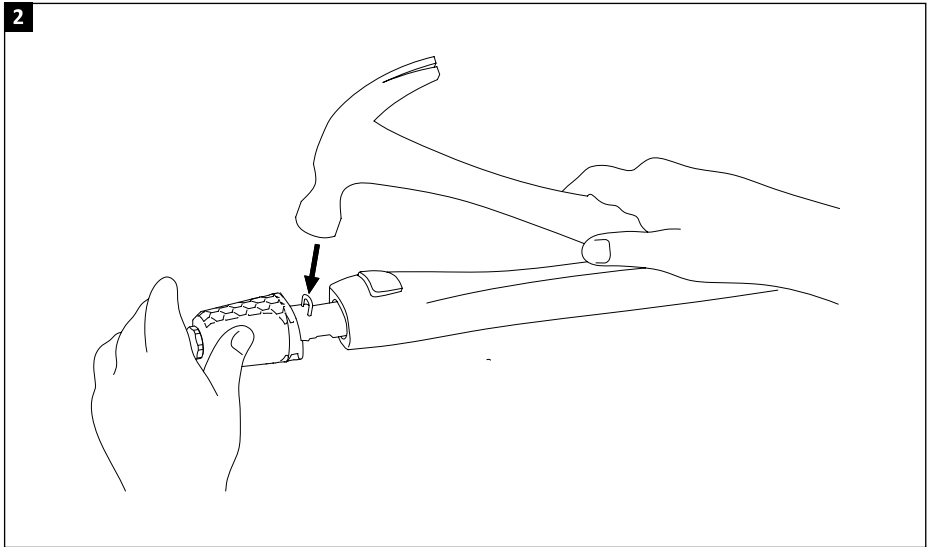
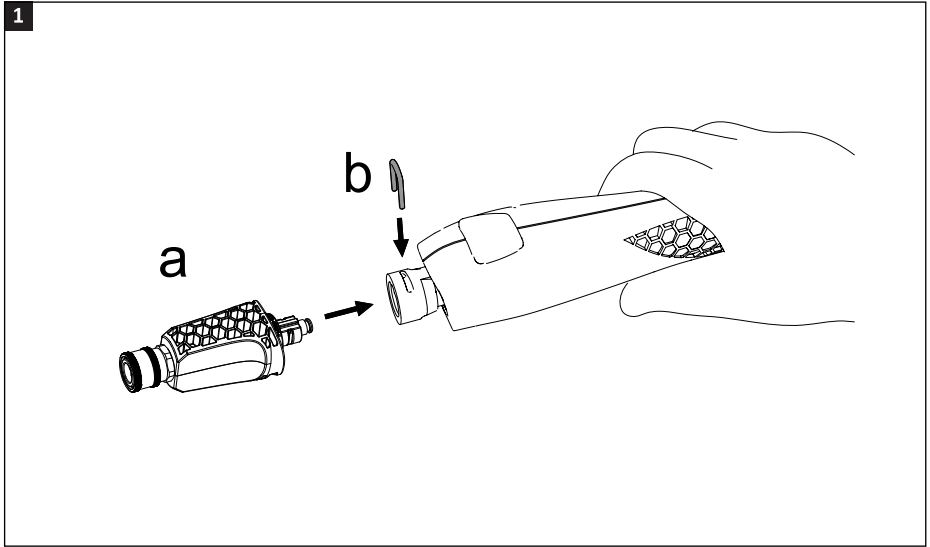
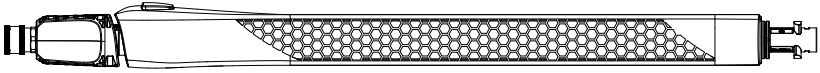
THE AVA CONCEPT
INNOVATION
FROM  **NORWAY**



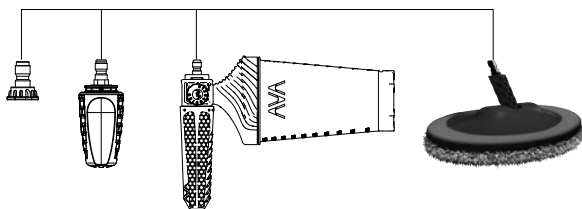
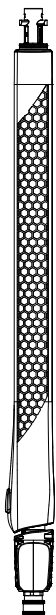
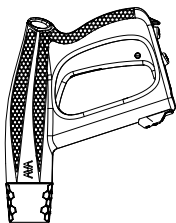
ASSEMBLE THE REEL KNOB



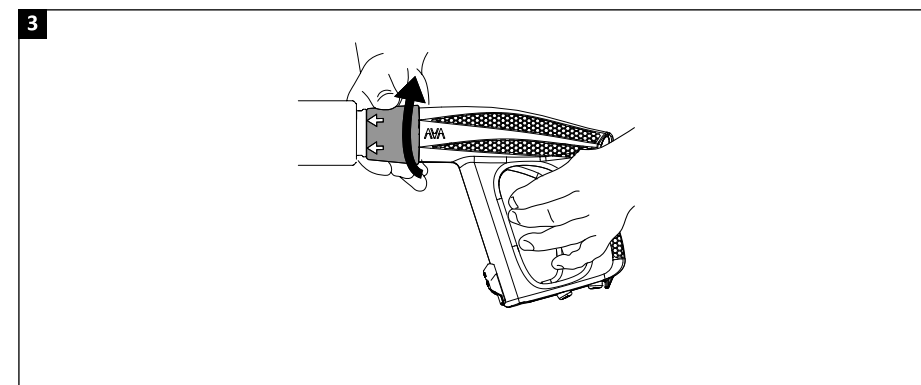
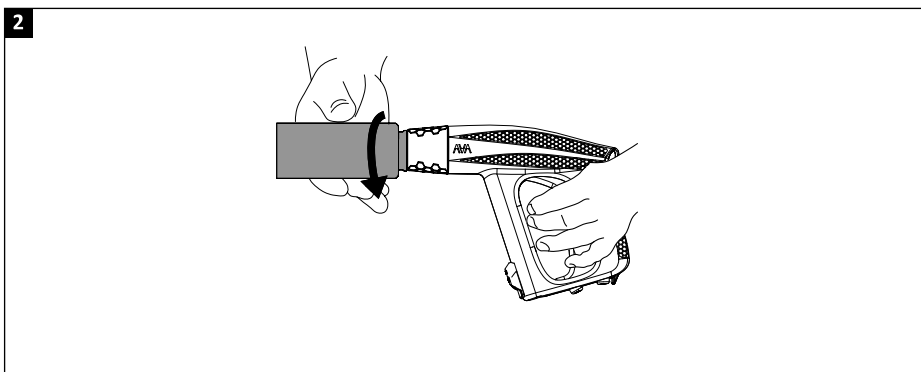
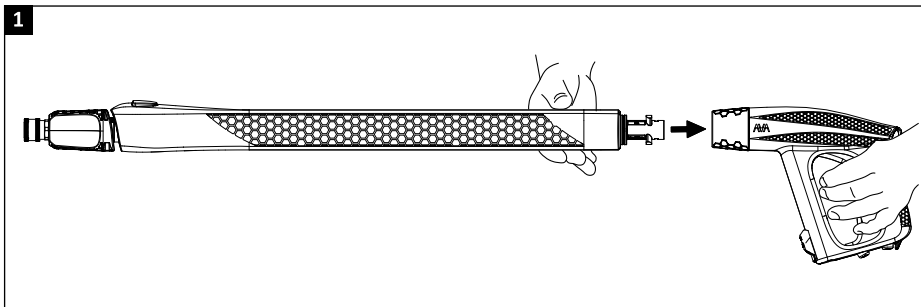
ASSEMBLY OF THE ZOOM LANCE
– Applies to medium and large bundle only



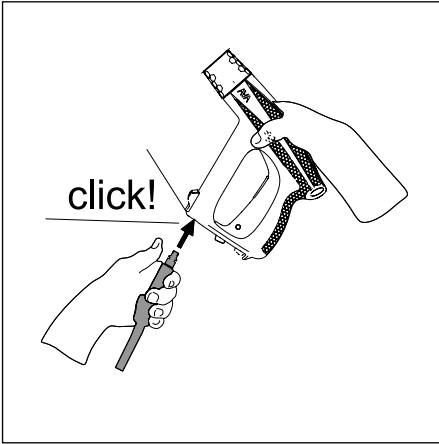
CONNECTING ACCESSORIES TO THE GUN



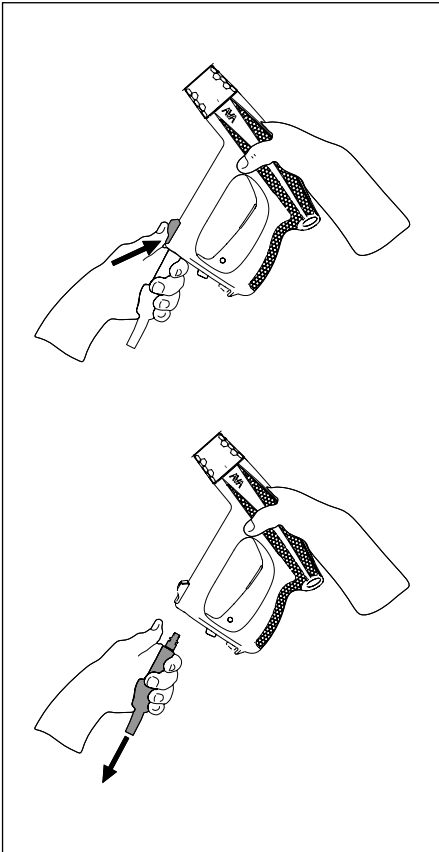
CONNECTING LANCE TO THE GUN



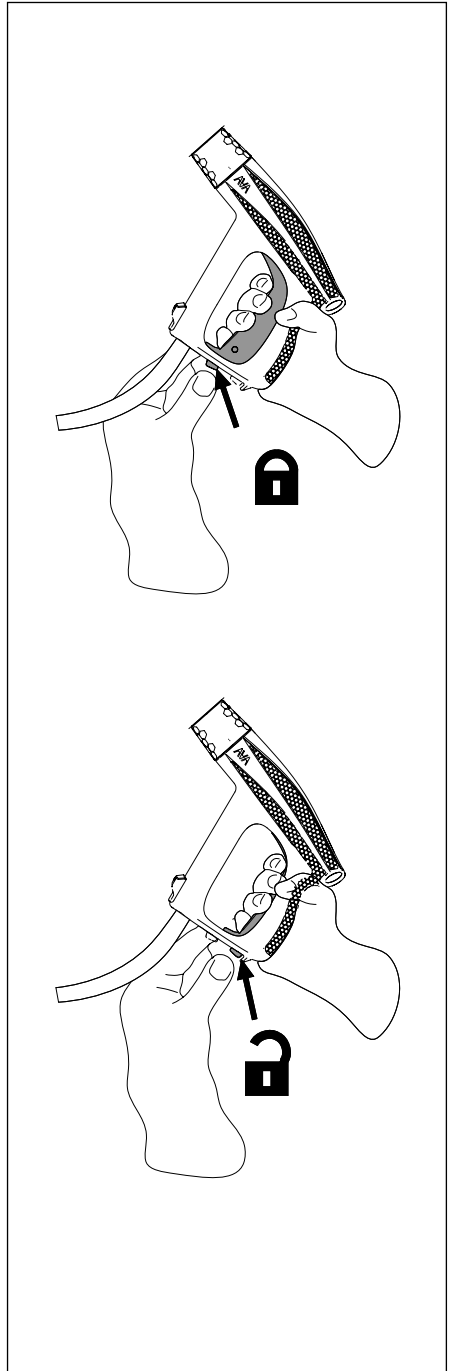
PG4-GUN CONNECTION



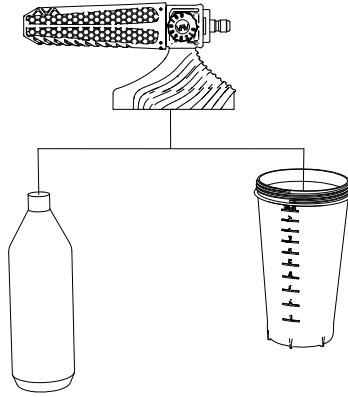
PG4-GUN DISCONNECTION



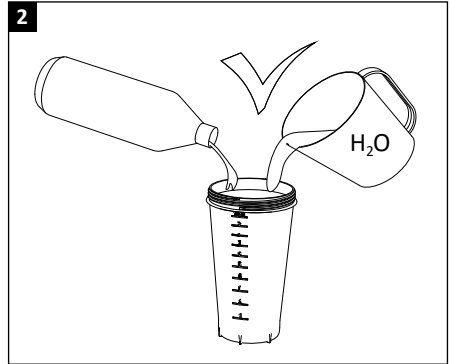
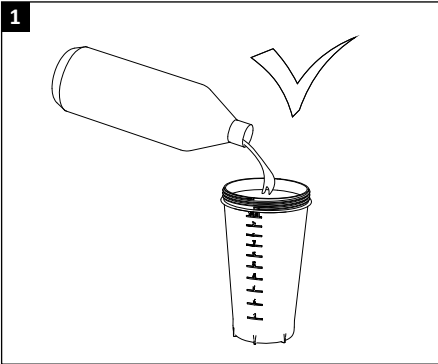
PG4-GUN SAFETY LOCK/UNLOCK



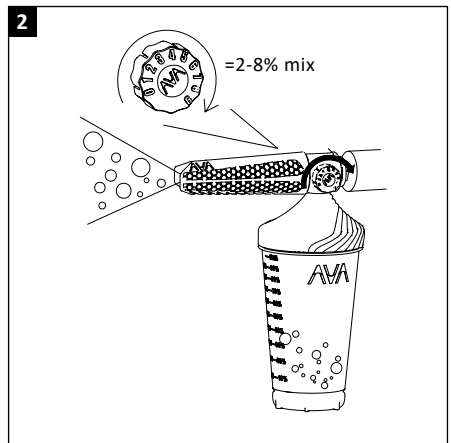
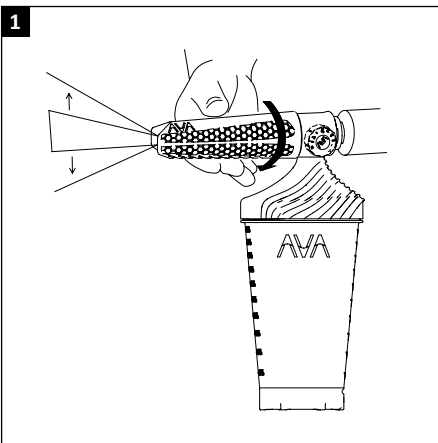
BOTTLE CONFIGURATIONS



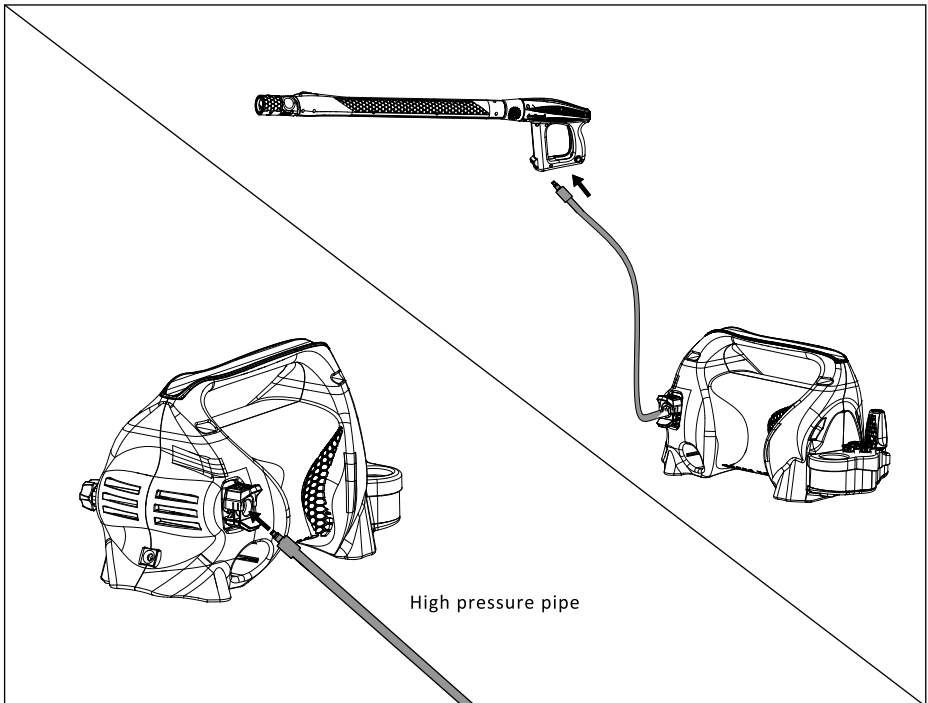
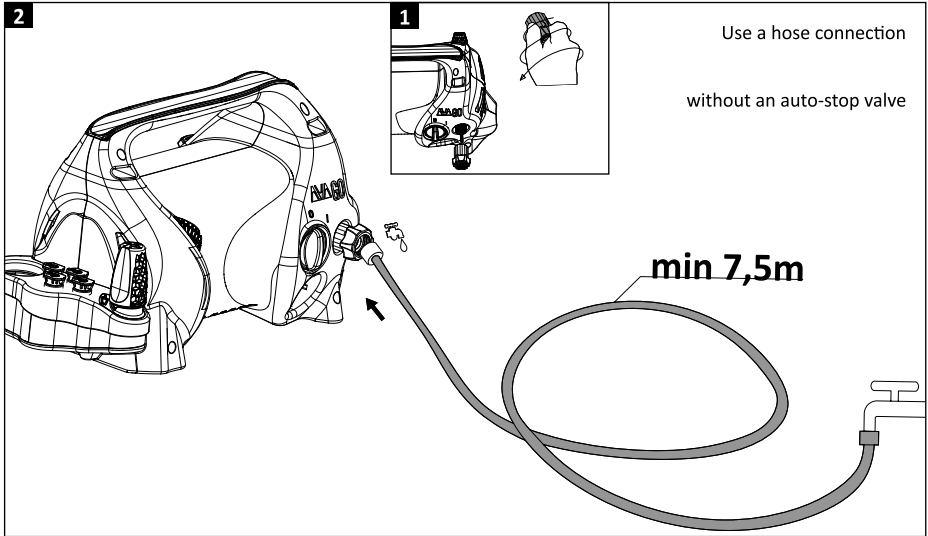
SUITABLE FOR EITHER JUST SOAP OR A SOAP AND WATER COMBINATION



ADJUSTING THE FOAM CANNON ANGLE

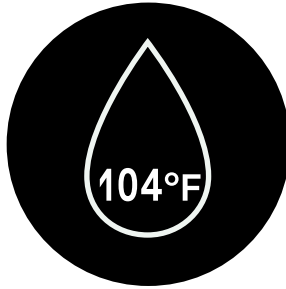


EXTENSION HOSE AND CORD



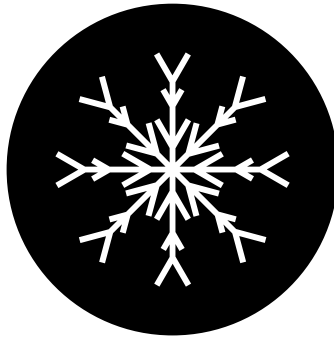
TEMPERATURE GUIDELINES

1



**Do not use hot water
above 104 °F**

2



**Do not use or
store machine
below 35 °F**

EN - Technical Data

Pressure washer		P45
Article number	See article number (rating plate) on pressure washer	
Rated power	kW	1,8
Supply temperature max.	°C	40
Supply rate min max.	GAL/min	2,0
Allowable pressure	PSI	1800
Rated pressure	PSI	1300
Rated Flow	GAL/min	1,69
Maximum inlet pressure	PSI	100
Autostop function	•	
Weight according to EP-TA-Procedure 01:2014	kg	9,6
Protective class	II	
Serial number	See serial number (rating plate) on pressure washer	

Noise/Vibration Information P45

Typically the A-weighted noise levels of the product are:

Sound pressure level	dB(A)	80,5
Sound power level	dB(A)	92
Uncertainty K	dB	3

Wear hearing protection!

Vibration total values a_h (triax vector sum) and uncertainty K determined according to EN 60335-2-79:

Vibration emission value a_h	m/s^2	0,235
Uncertainty K	m/s^2	0,527

