



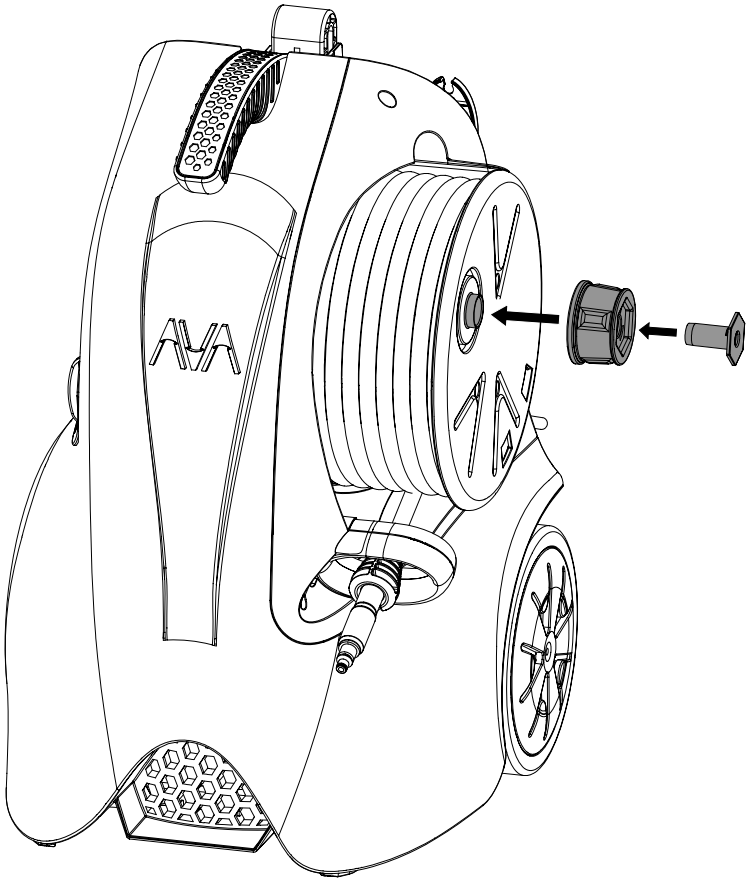
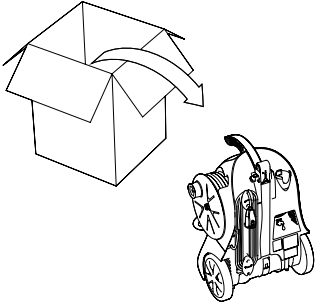
EASY

THE AVA CONCEPT

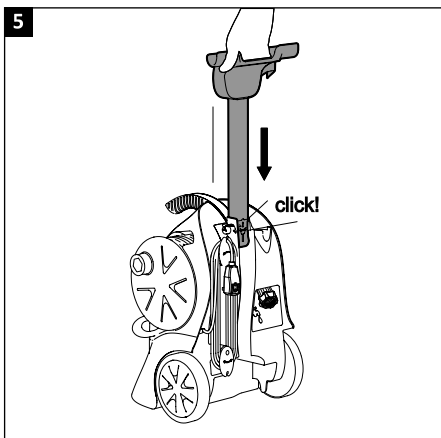
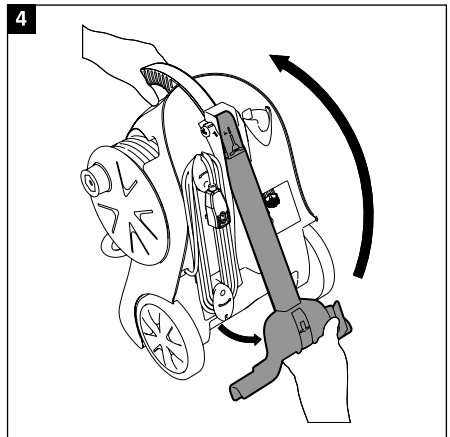
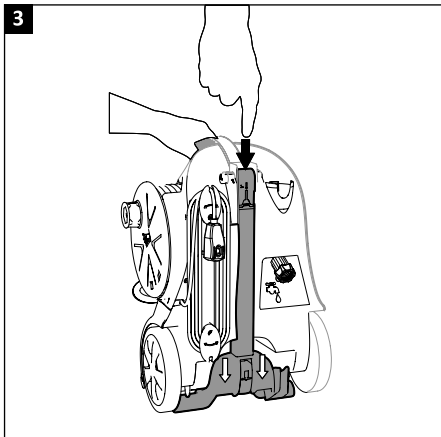
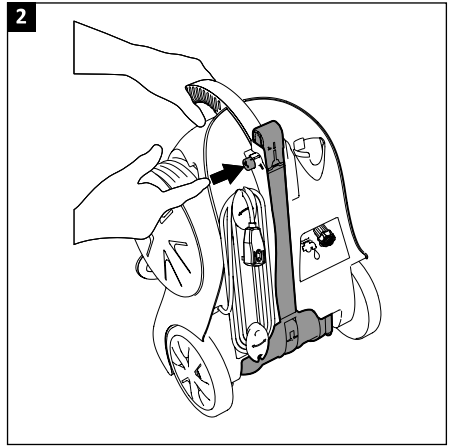
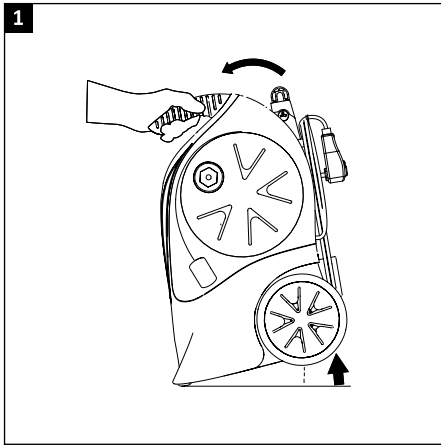
INNOVATION
FROM NORWAY



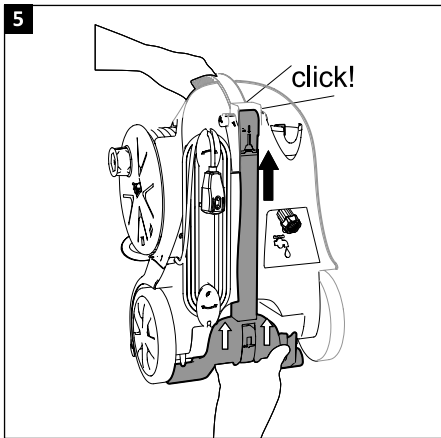
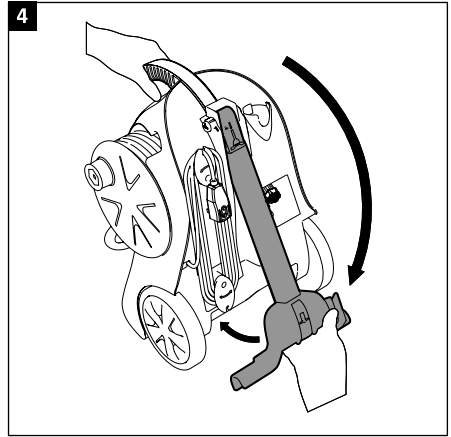
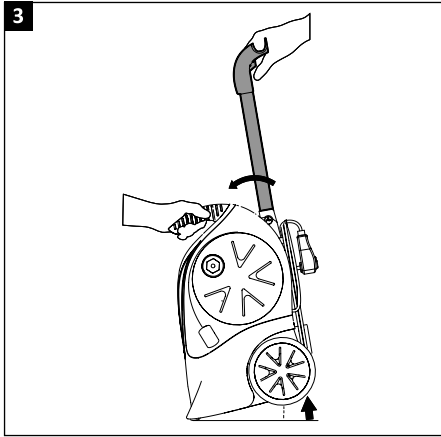
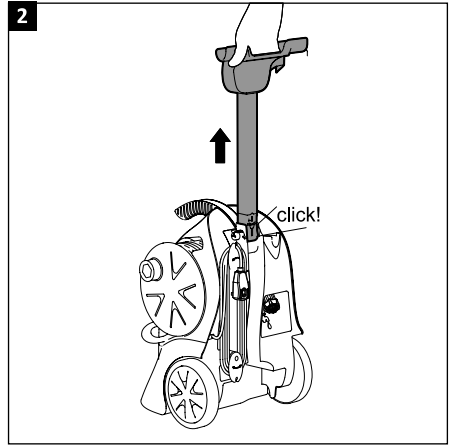
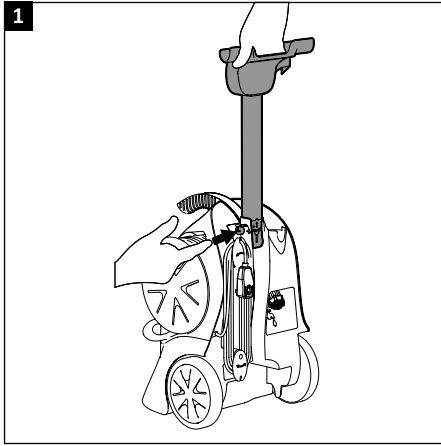
ASSEMBLE THE REEL KNOB



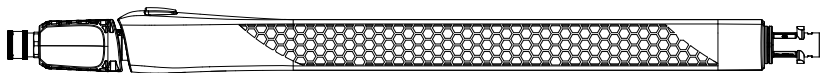
UNFOLD THE HANDLE



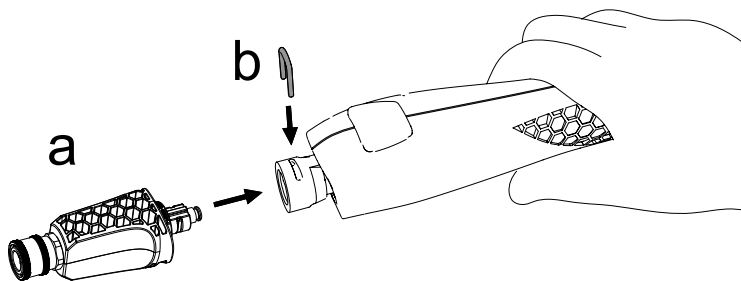
FOLD THE HANDLE



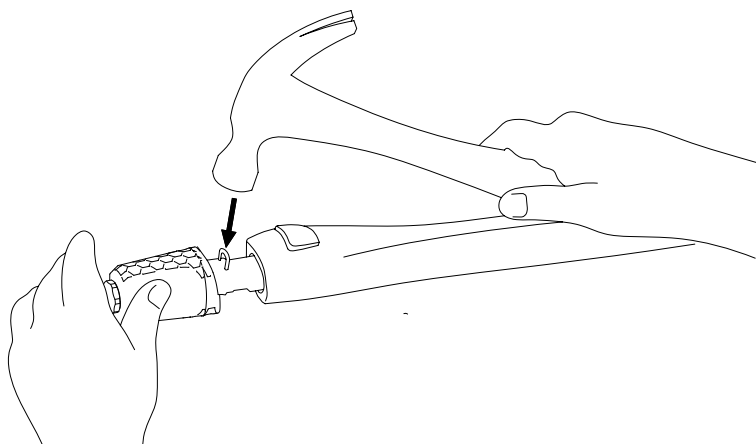
ASSEMBLY OF THE ZOOM LANCE
– Applies to medium and large bundle only



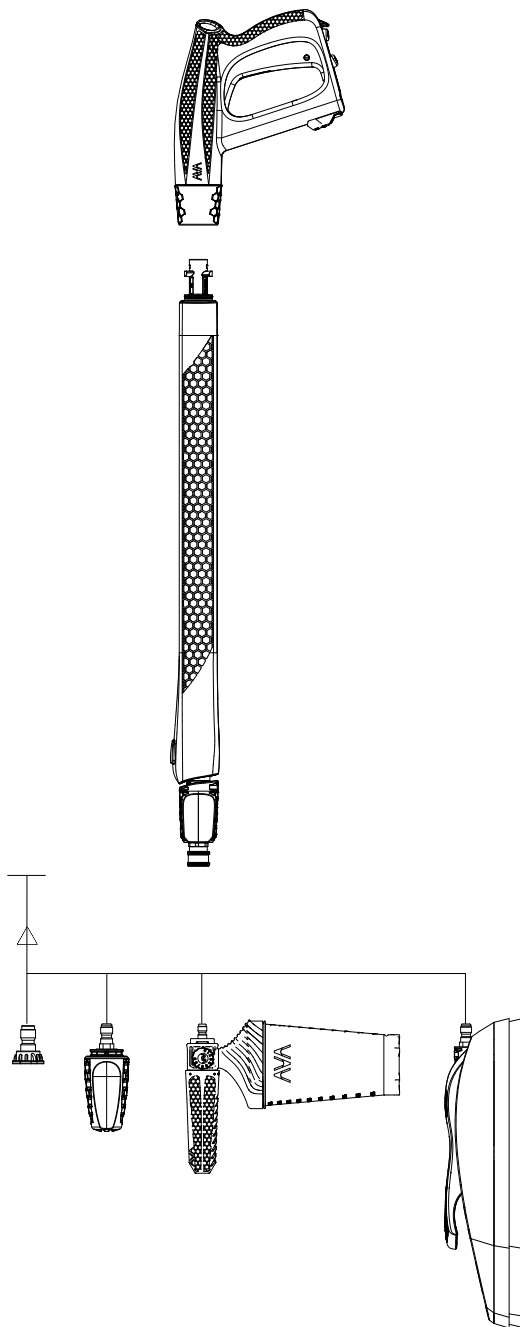
1



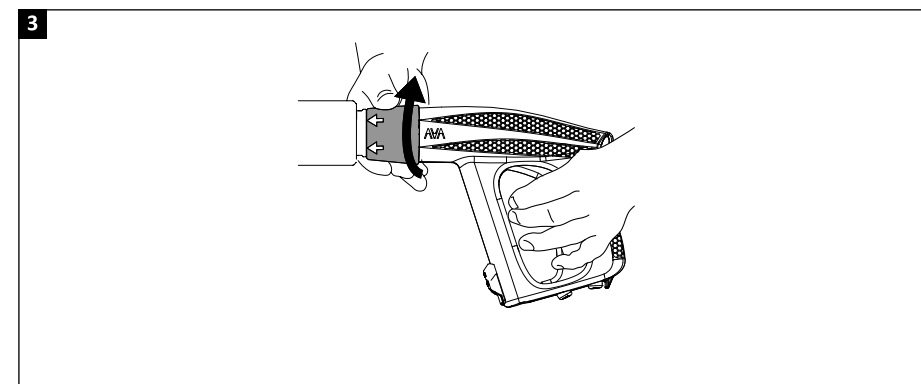
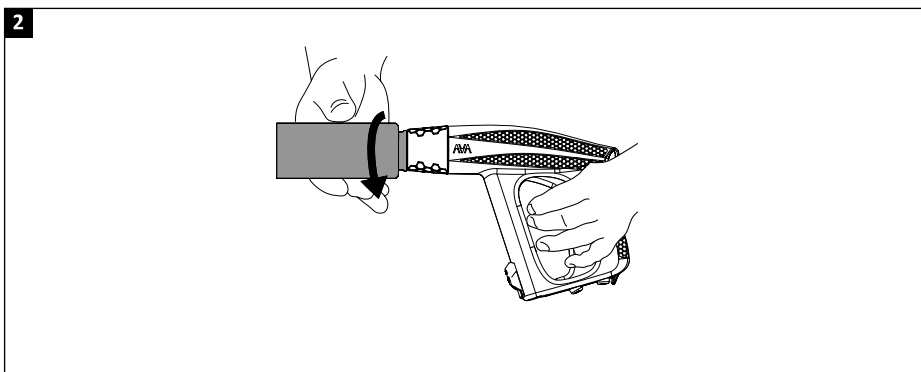
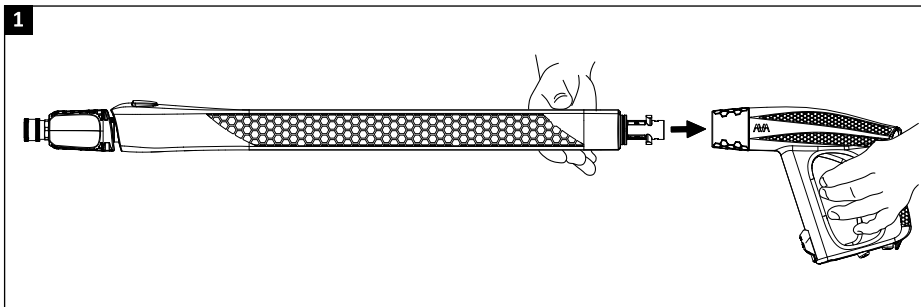
2



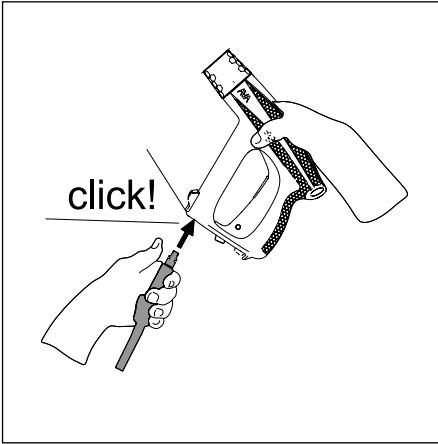
CONNECTING ACCESSORIES TO THE GUN



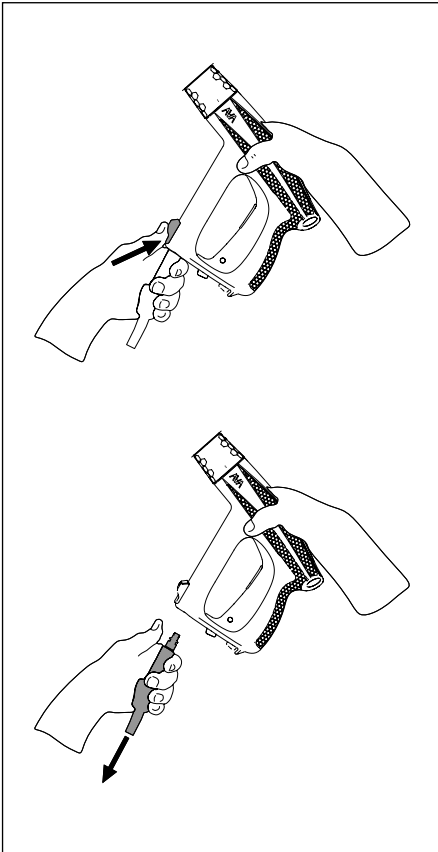
CONNECTING LANCE TO THE GUN



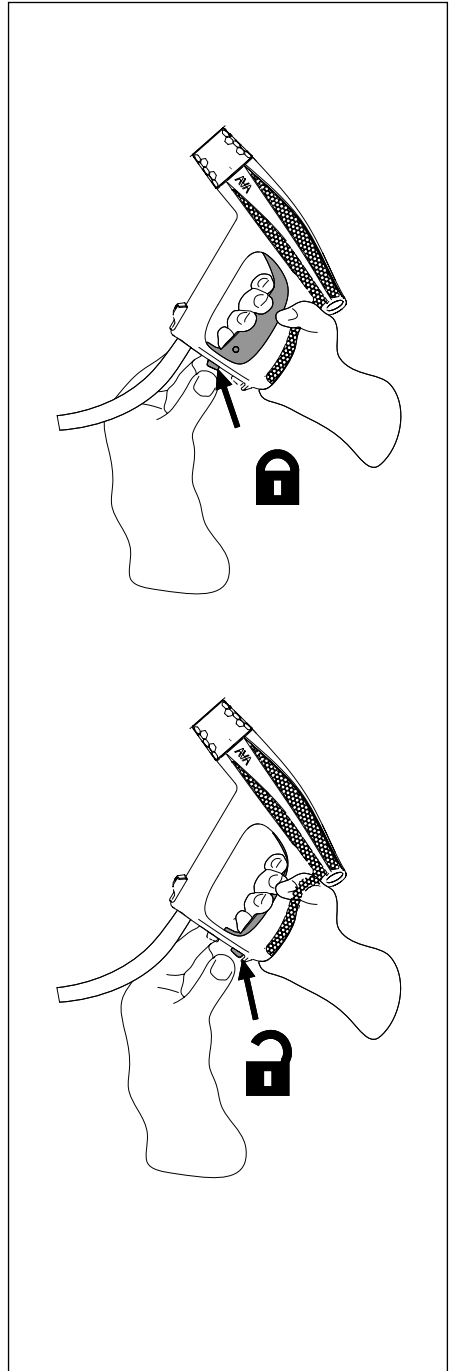
PG4-GUN CONNECTION



PG4-GUN DISCONNECTION

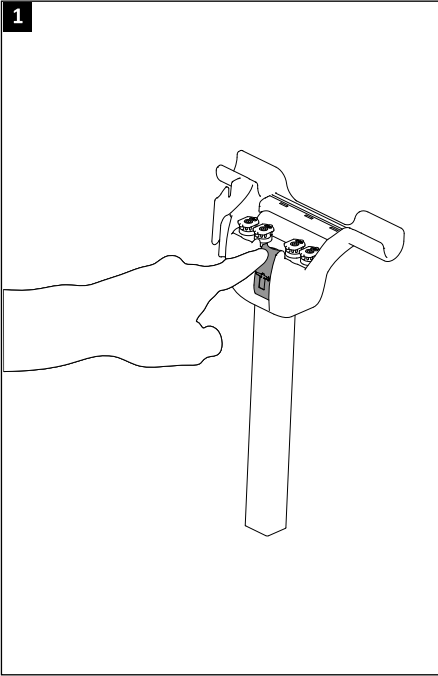


PG4-GUN SAFETY LOCK/UNLOCK

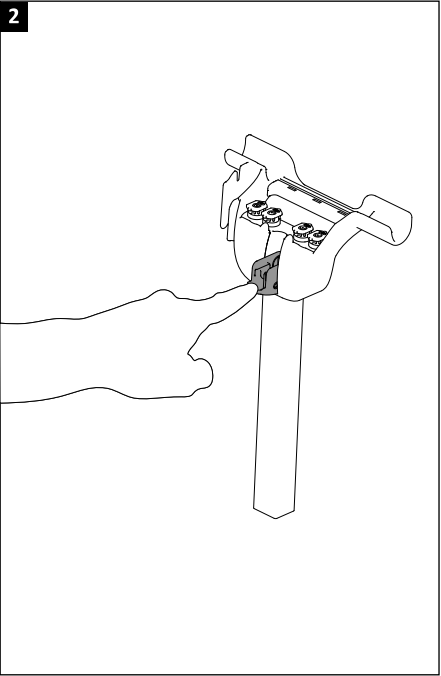


PLACEMENT OF FOAM CANNON

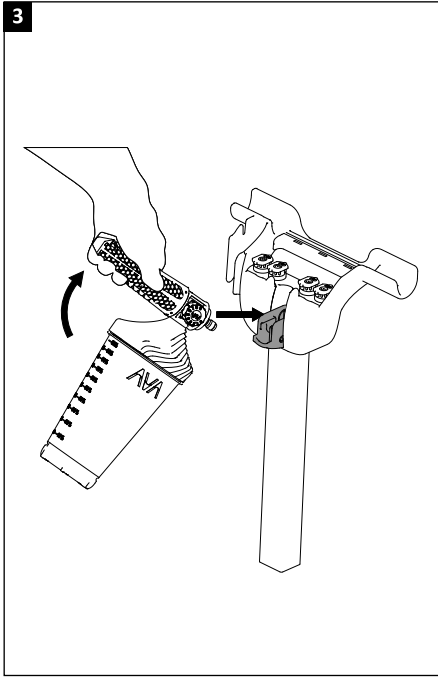
1



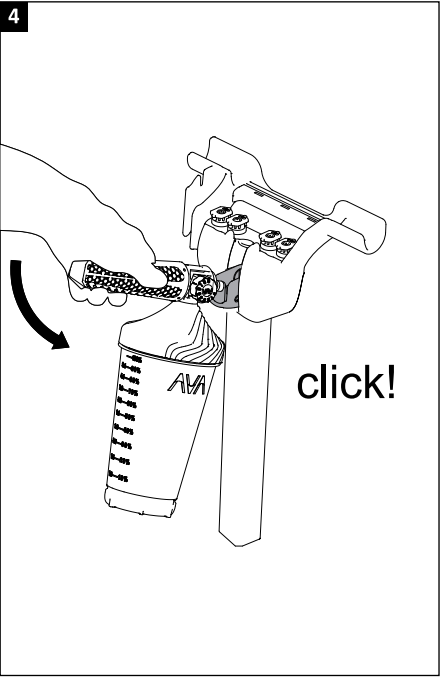
2



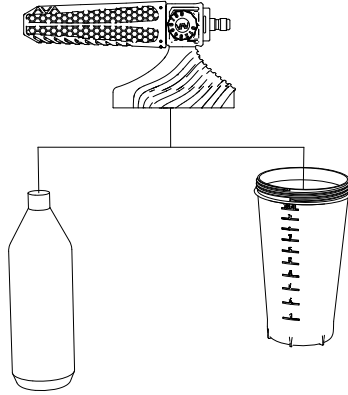
3



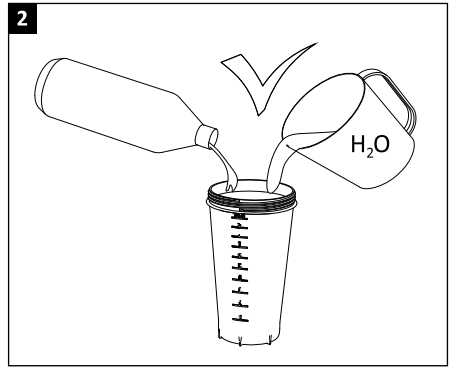
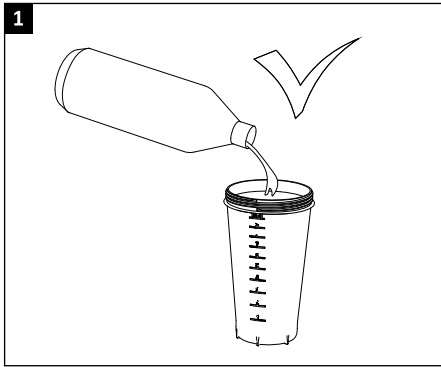
4



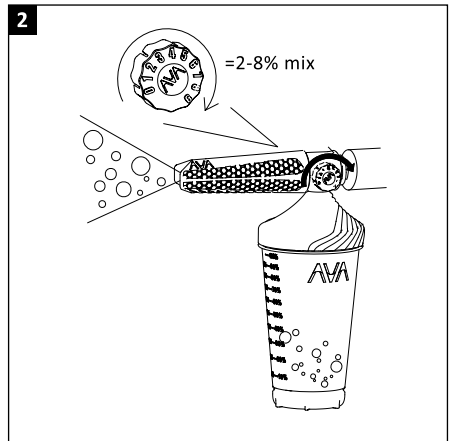
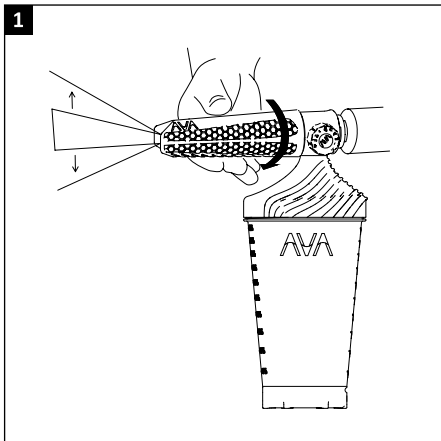
BOTTLE CONFIGURATIONS



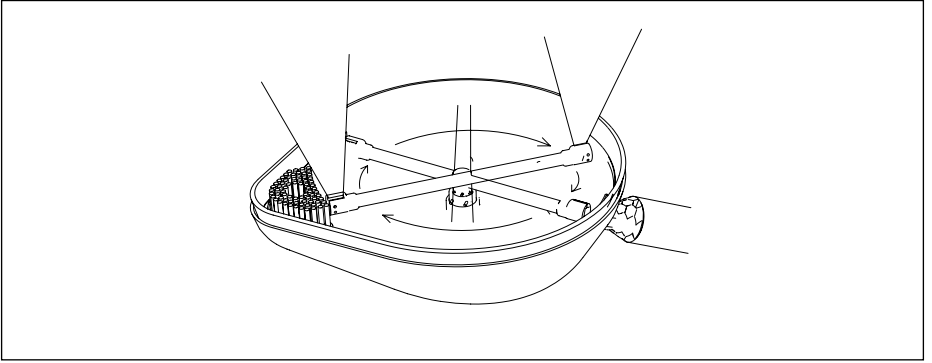
SUITABLE FOR EITHER JUST SOAP OR A SOAP AND WATER COMBINATION



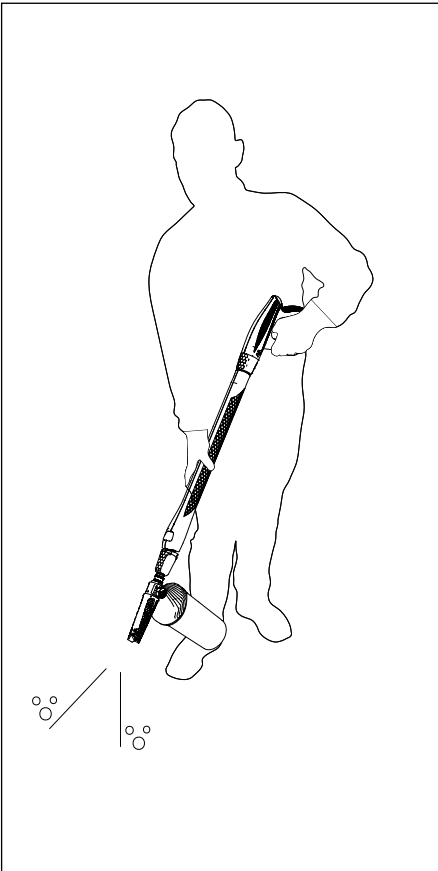
ADJUSTING THE FOAM CANNON ANGLE



PATIO CLEANER



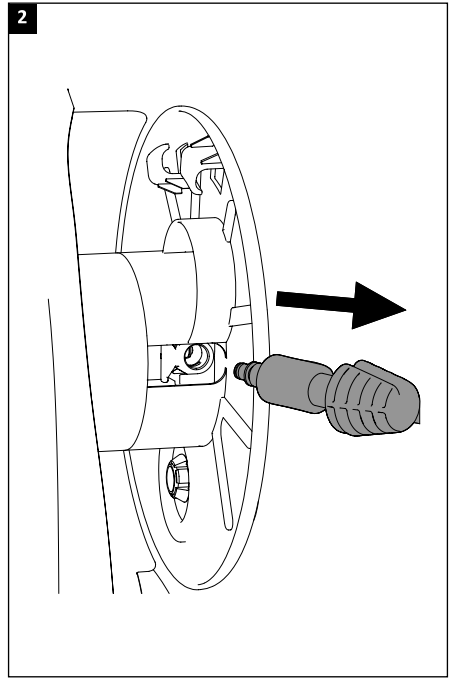
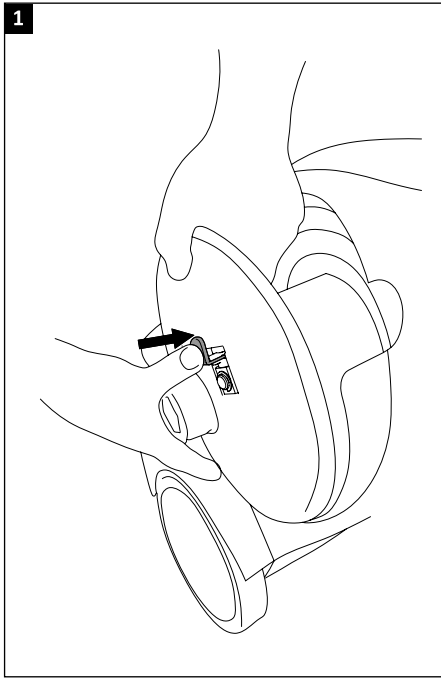
FOAMING PATIO



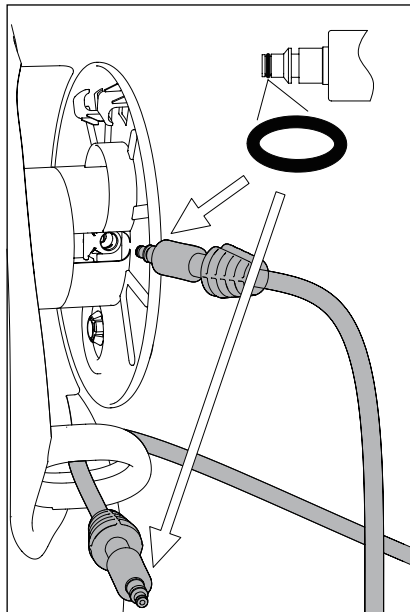
CLEANING PATIO



SERVICE: HOSE O-RINGS



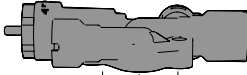
O-RINGS



SERVICE: PUMP

Replace:

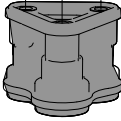
Pump Head Kit



Main Valve

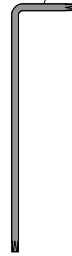


Pump Body Kit



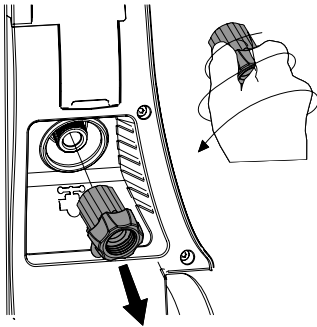
Tool:

T25

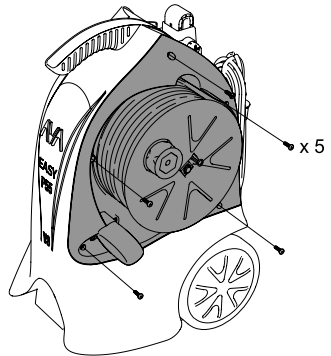


REMOVE: STEP 1-10:

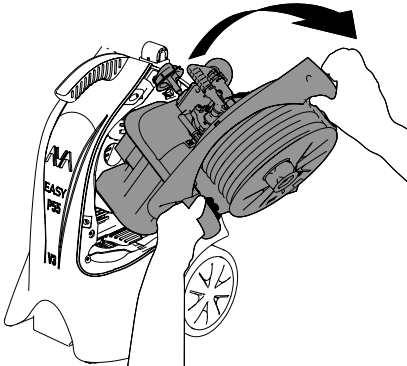
1



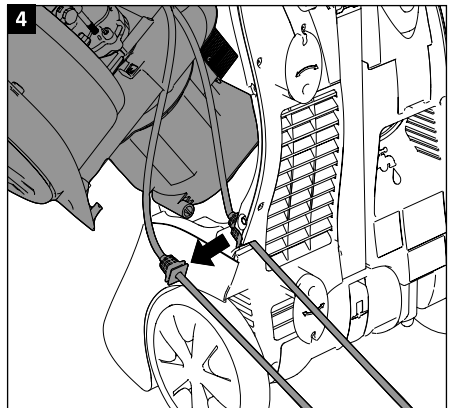
2

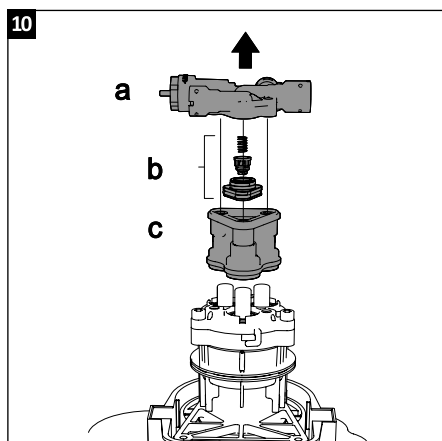
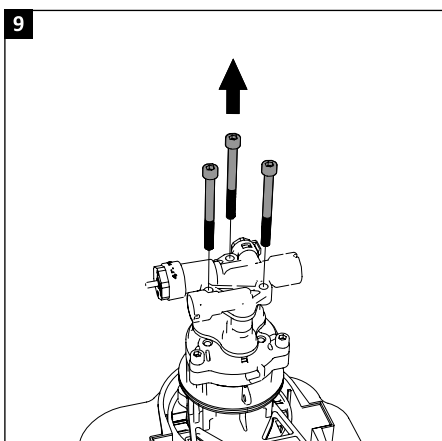
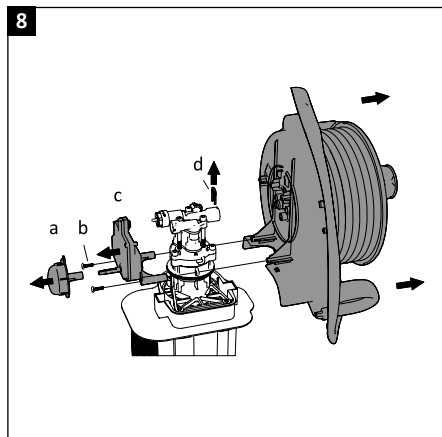
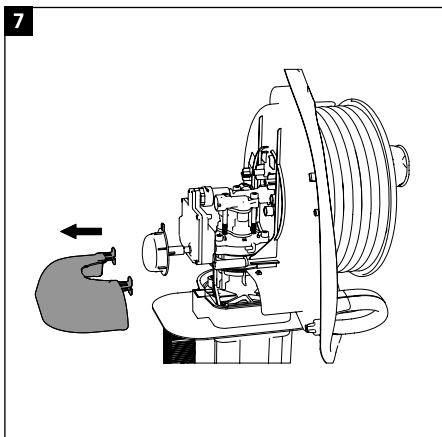
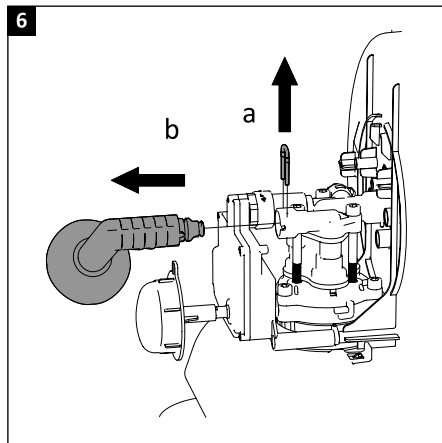
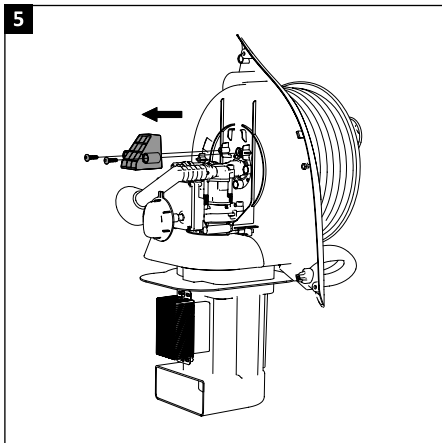


3

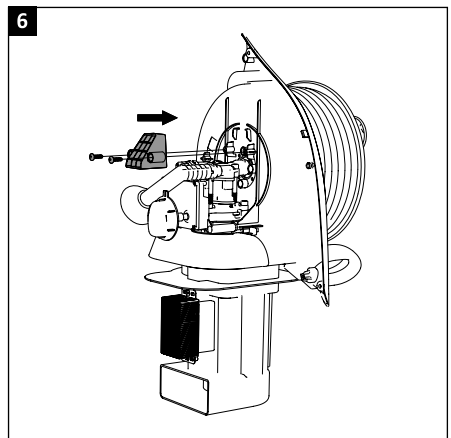
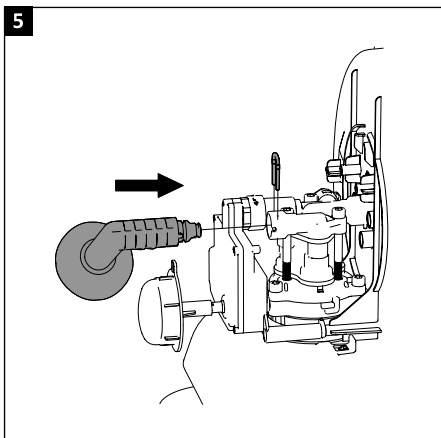
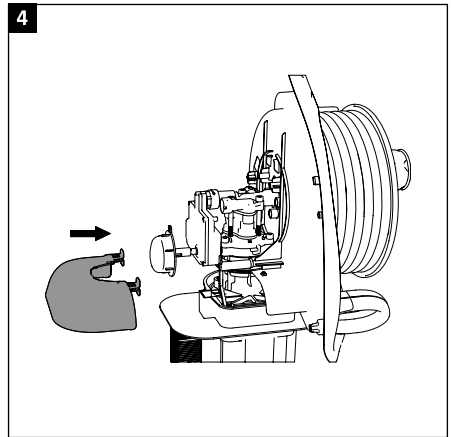
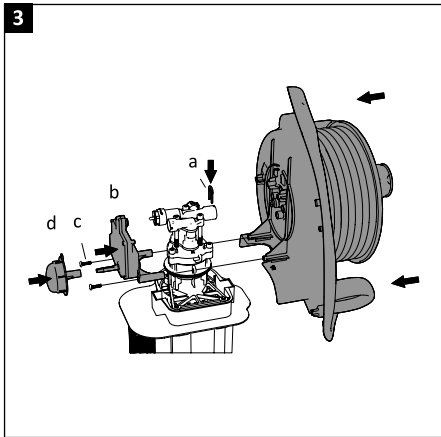
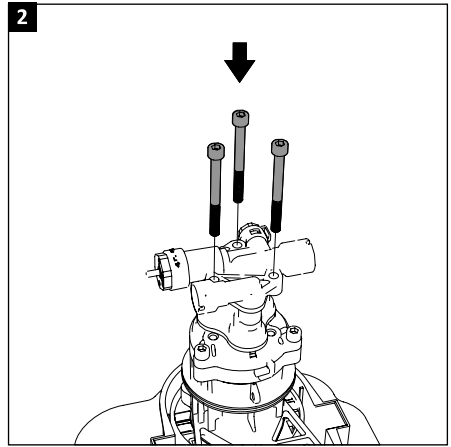
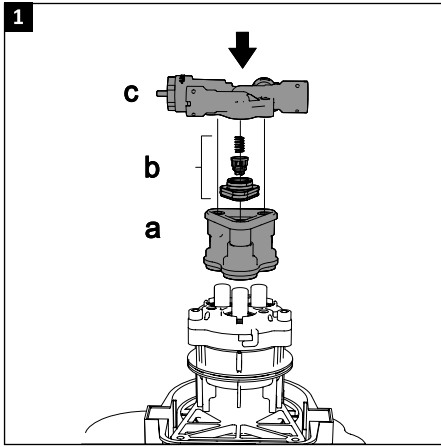


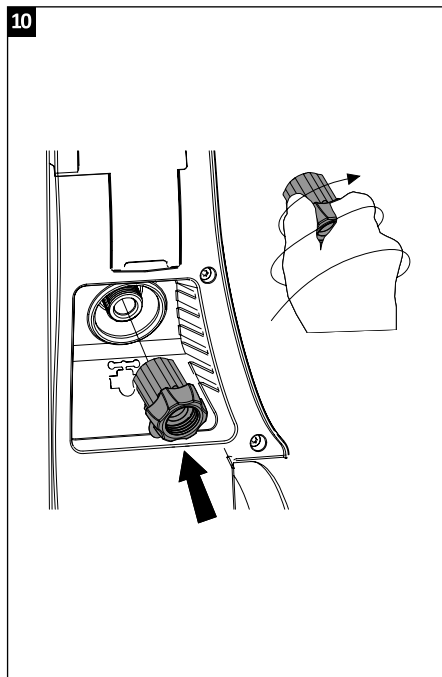
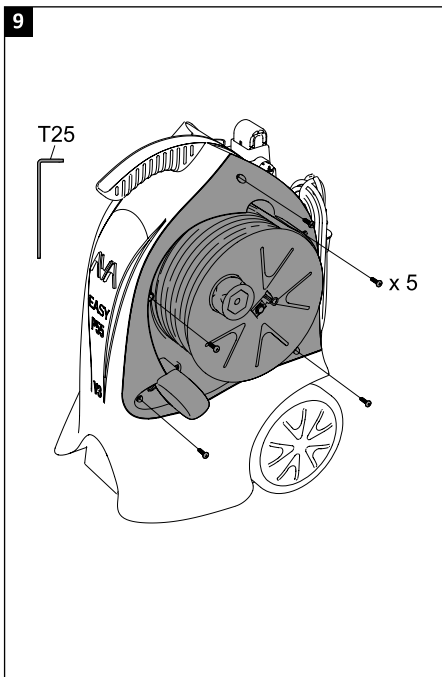
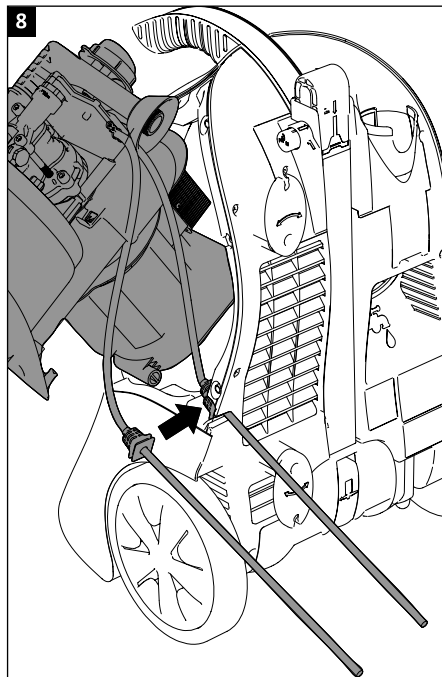
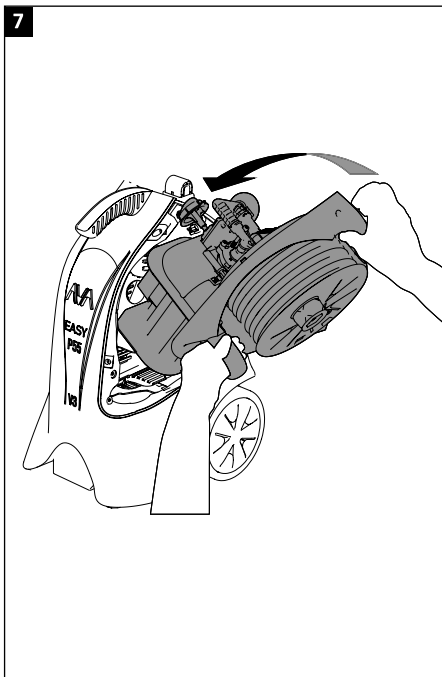
4



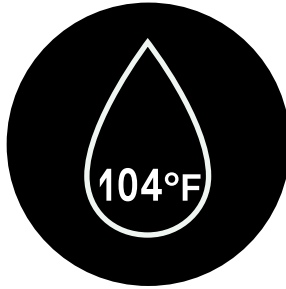


INSERT: STEP 1-10:



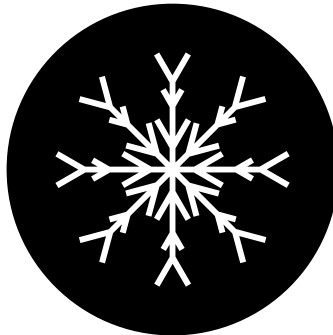


1



**Do not use hot water
above 104 °F**

2



**Do not use or
store machine
below 35 °F**

EN - Technical Data

Pressure washer		P50
Article number	See article number (rating plate) on pressure washer	
Rated power	kW	1,8
Supply temperature max.	°C	40
Supply rate min max.	GAL/min	1,8
Allowable pressure	PSI	2050
Rated pressure	PSI	1450
Rated Flow	GAL/min	1,45
Maximum inlet pressure	PSI	100
Autostop function	•	
Weight according to EP-TA-Procedure 01:2014	kg	10,6
Protective class	II	
Serial number	See serial number (rating plate) on pressure washer	

Noise/Vibration Information	P50
-----------------------------	-----

Typically the A-weighted noise levels of the product are:

Sound pressure level	dB(A)	80
Sound power level	dB(A)	93
Uncertainty K	dB	3

Wear hearing protection!

Vibration total values a_h (triax vector sum) and uncertainty K determined according to EN 60335-2-79:

Vibration emission value a_h	m/s^2	0,4
Uncertainty K	m/s^2	0,5

